



Insulation Spacer

M-LB-2800

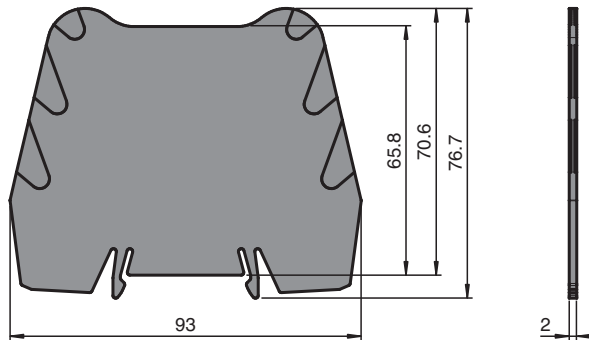
- For surge protection system M-LB-2000
- Color black
- DIN rail mountable

Insulation spacer for surge protection system M-LB-2000

Function

The component is used to terminate terminal sections or to separate individual terminal sections from each other. The component is mounted on a 35 mm DIN mounting rail according to EN 60715.

Dimensions



Technical Data

Ambient conditions

Ambient temperature	-40 ... 80 °C (-40 ... 176 °F)
Storage temperature	-40 ... 85 °C (-40 ... 185 °F)
Relative humidity	max. 95 % , without condensation

Mechanical specifications

Material	Polyamide (PA)
Mass	approx. 40 g
Dimensions	2 x 93 x 77 mm (0.08 x 3.7 x 3 inch) (W x H x D)
Mounting	on 35 mm DIN mounting rail acc. to EN 60715:2001

Release date: 2022-01-14 Date of issue: 2022-01-14 Filename: 70101641_eng.pdf

Refer to "General Notes Relating to Pepperl+Fuchs Product Information".

Pepperl+Fuchs Group
www.pepperl-fuchs.com

USA: +1 330 486 0002
pa-info@us.pepperl-fuchs.com

Germany: +49 621 776 2222
pa-info@de.pepperl-fuchs.com

Singapore: +65 6779 9091
pa-info@sg.pepperl-fuchs.com

PF PEPPERL+FUCHS