

Surge Protection Barrier M-LB-3.150TNC.D

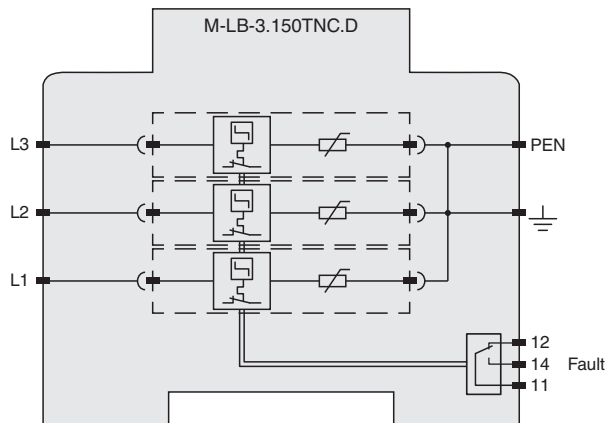
- Surge protection for 3 supply lines
- Type 2 acc. to EN 61643-11
- For TN-C systems (120 V AC/240 V AC)
- Pre-wired unit
- Operating state and fault indication of every protected line
- Fault indication output
- DIN rail mountable



Function

This device is a modular surge protection barrier (type 2 acc. to EN 61643-11) with error message output (floating changeover contact). The complete device consists of a base module and plug-in protection modules and is ready for installation. Every protection module is locked in the base module and can be changed without tools via release buttons.

Connection



Release date: 2022-01-13 Date of issue: 2022-01-13 Filename: 235910_eng.pdf

Refer to "General Notes Relating to Pepperl+Fuchs Product Information".

Pepperl+Fuchs Group
www.pepperl-fuchs.com

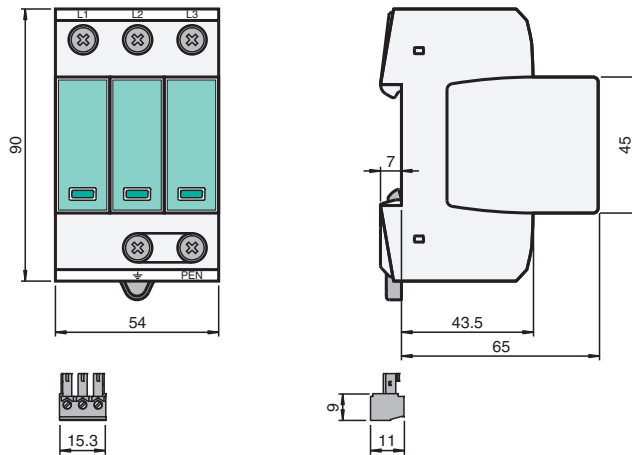
USA: +1 330 486 0002
pa-info@us.pepperl-fuchs.com

Germany: +49 621 776 2222
pa-info@de.pepperl-fuchs.com

Singapore: +65 6779 9091
pa-info@sg.pepperl-fuchs.com

PF PEPPERL+FUCHS

Dimensions



Technical Data

Search characteristics	
Network configuration	TN-C
General specifications	
Device type	type 2 acc. to EN 61643-11 class II acc. to IEC 61643-1
Number of protected supply lines	3
Suitable components	protection module M-LB-1.150.M
Electrical specifications	
Nominal voltage	120 V AC, 50 ... 60 Hz 240 V AC, 50 ... 60 Hz
Maximum continuous operating voltage	U_c 150 V AC, 50 ... 60 Hz
Temporary over-voltage	U_t 175 V / 5 s (TOV withstand)
Nominal discharge current (8/20 μ s)	I_n 15 kA
Max. surge current (8/20 μ s)	I_{max} 40 kA
Voltage protection level	U_p max. 0.7 kV max. 0.55 kV at 5 kA
Reaction time	t_A max. 25 ns
Short-circuit-proof	50 kA _{eff}
Overcurrent protection	max. 125 A gG , mains-side
Fault indication output	
Connection	terminals 11, 12, 14
Output	volt-free change-over contact
Switch power	AC: 250 V / 0.5 A DC: 250 V/0.1 A; 125 V/0.2 A; 75 V/0.5 A; 24 V/0.5 A
Indicators/settings	
Display elements	status display operating state (green) fault indication (red)
Directive conformity	
Low voltage	
Directive 2014/35/EU	EN 61643-11:2012
Conformity	
Degree of protection	IEC 60529
Shock resistance	EN 60068-2
Vibration resistance	EN 60068-2
Ambient conditions	
Ambient temperature	-40 ... 80 °C (-40 ... 176 °F)
Relative humidity	5 ... 95 %
Mechanical specifications	

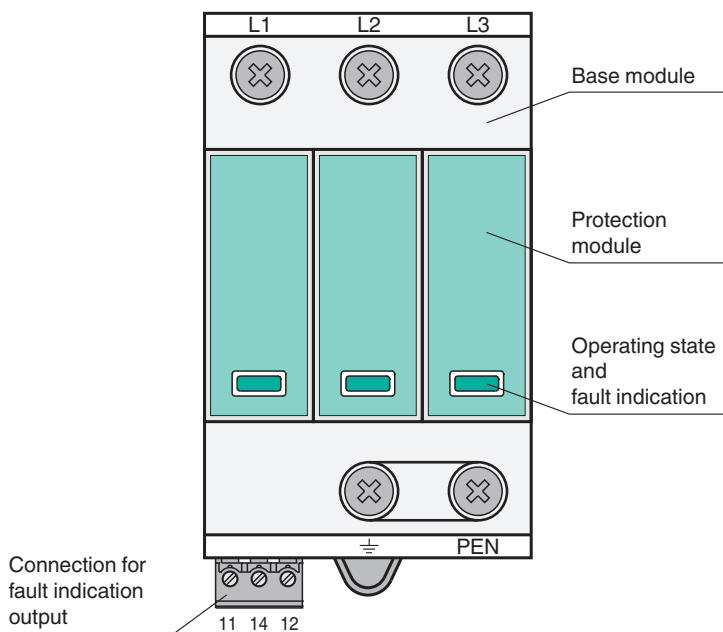
Release date: 2022-01-13 Date of issue: 2022-01-13 Filename: 235910_eng.pdf

Technical Data

Degree of protection	IP20
Core cross section	- min. 1.5 mm ² solid/flexible - max. 35 mm ² stranded/25 mm ² flexible - max. 1.5 mm ² solid/flexible (for remote signalling contact)
Material	
Housing	thermoplastic, color grey , UL 94 V-0
Mass	approx. 360 g
Dimensions	54 x 90 x 72 mm (2.1 x 3.6 x 2.8 inch) (W x H x D) , 3 TE acc. to DIN 43880
Mounting	on 35 mm DIN mounting rail acc. to EN 60715:2001
General information	
Supplementary information	Observe the certificates, declarations of conformity, instruction manuals, and manuals where applicable. For information see www.pepperl-fuchs.com .

Assembly

Front view



Accessories

	M-LB-1.150.M	Protection Module for Surge Protection Barrier
--	---------------------	--

Release date: 2022-01-13 Date of issue: 2022-01-13 Filename: 235910_eng.pdf